

| Capsule |TM

User guide

You'll be up and running in no time.

Safety Information

Please keep this user guide for reference and share it with anyone who uses your Capsule. Failure to adhere to this user guide can lead to personal injury or damage to your Capsule. We accept no liability for damaged caused as a result of failing to adhere to this user guide.

General intended use

- Capsule is intended exclusively for domestic dry vacuuming.
- Store and charge indoors in a dry, cool place out of reach of children.
- Keep the area you are cleaning well lit.
- Do not vacuum wet surfaces or attempt to pick up liquids.
- Do not vacuum where there may be harmful fluids (e.g. chlorine, bleach, drain cleaner).
- Do not vacuum hot coals, cigarette butts, matches or any items that are burning or smoking.
- Do not vacuum hard or sharp objects such as glass, nails, screws, coins etc.
- Do not use on tarmacadam, uneven flooring or other rough surfaces. Uneven stone floors can damage the Power Brush Head and result in damaged carpets.
- Do not use the Power Brush Head if the underside is visibly gouged or damaged.
- Capsule has a highly powered brush head. Never leave the Power Brush Head in one spot for an extended period of time as this may damage the floor surface.
- Switch off the Power Brush Head on delicate surfaces.
- Capsule's high performance may damage delicate surfaces or upholstery. Test on an inconspicuous area first in Eco mode with the Power Brush Head off. Take care on loose-weave fabrics or where there are loose threads.

Personal safety

- Capsule can be used by children aged 12 years and above and persons with reduced physical, sensory or mental capabilities or lack of experience and knowledge provided they have been given supervision or instruction concerning the use of Capsule in a safe way and understand the risks involved. Children shall not play with the appliance. Cleaning and user maintenance shall not be made by children without supervision.
- Take extra care when using Capsule on the stairs. Always clean upwards from bottom to top.
- Keep Capsule away from hot surfaces and elevated ambient temperatures.
- Keep fingers, hair and loose clothing away from moving parts and openings when using Capsule.
- Do not use Capsule if there is visible damage to the appliance or charger, or if Capsule or the charger have been left outdoors or immersed in water.
- Capsule does not stay upright. Between uses, lie flat on the floor in a suitable location so it cannot be stepped on or tripped over. Alternatively Capsule can be placed in its Wall Dock.

Electrical safety

- Only use Capsule chargers and spare parts supplied by Halo.
- Never modify the charger in any way.
- The charger has been designed for a specific voltage. Always check that the domestic mains voltage is the same as that stated on the charge rating plate.
- A charger that is matched to one battery pack may cause overheating and risk of fire when used with another battery pack. Always use the approved Capsule charger.
- Before charging always check the charger and cable. Do not use if there are signs of damage or tangling. If there are signs of damage or tangling seek a genuine replacement charger from Halo.
- Never carry the charger by the cord.
- Do not wrap the cord around the charger.
- Do not pull the cord to remove the charger from the socket or from Capsule.
- Do not store or charge Capsule outdoors.
- Always remove the charger when cleaning, emptying or maintaining Capsule.
- Ensure Capsule is switched off before connecting or disconnecting any accessories or the motorised Power Brush Head.

Battery safety

- Capsule includes Li-Ion batteries; do not incinerate batteries or expose to high temperatures as they may explode.
- Leaks from the battery can occur under extreme conditions. Do not touch any liquid leaks. If liquid gets on the skin wash immediately with plentiful soap and water. If liquid gets in eyes flush them immediately with clean water for a minimum of 10 minutes and seek medical attention. Wear gloves to handle the battery and dispose of immediately in accordance with local regulations.
- In an emergency situation contact professional help immediately!
- Shorting charging terminals may cause burns or fire.
- When you dispose of Capsule please do so safely and in accordance with local regulations.
- Keep all openings clear and free from debris as this may impact airflow or suction.
- **WARNING:** For the purpose of recharging the battery only use the detachable power supply unit provided with this appliance

Welcome to Capsule

Thank you for choosing your Halo Capsule cordless vacuum cleaner. We hope you will have many years of use from your Capsule but before you begin please read this user guide completely.

Halo™

About Halo

After 20 years developing vacuum cleaners for big brands, in 2019 Paul Bagwell Founded Halo to take cordless vacuums in a different and better direction.

Innovation for the big household names seemed entirely focused on miniaturising old technology; but this was compromising performance, weight and efficiency. People were having to carry around heavy machines with very little capacity - the opposite of what they needed. Paul knew there was a better way of using cordless technology to deliver cordless cleaning without compromise.

Capsule cracks the mould. Capsule is lighter and hungrier.

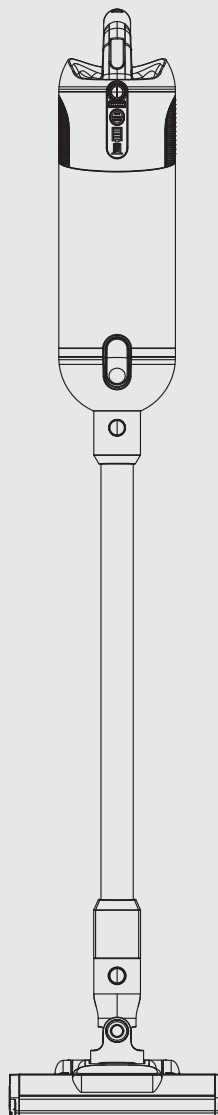
Since launching in 2019 Halo Capsule has won numerous awards and accolades and been recognised as a game-changer with big power, big capacity and amazing low weight.

Halo design and develop our unique and award-winning vacuums at our base in Leamington Spa, Warwickshire, England.



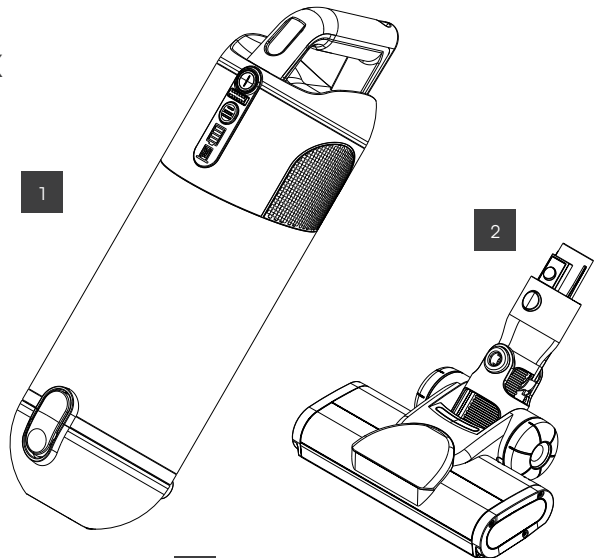
Best of British
Design

Patents Pending



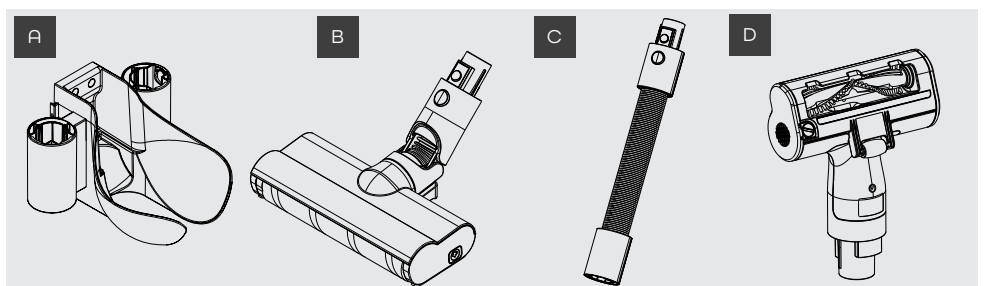
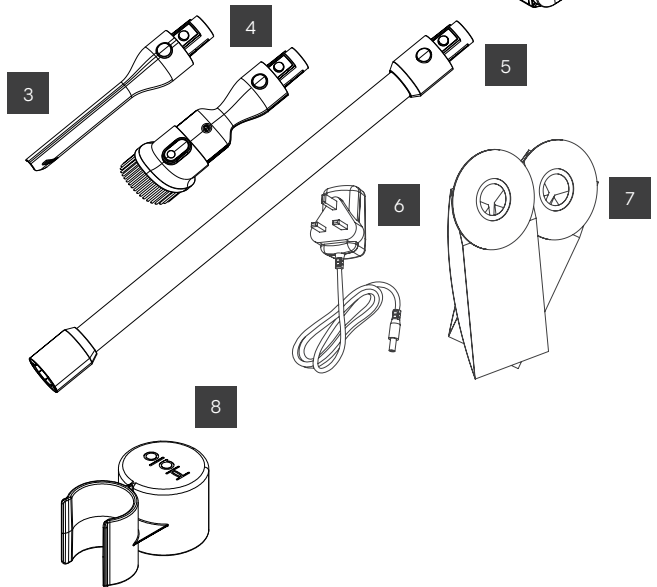
What's in the box

- 1 Capsule Main Unit
- 2 Motor Brush Head
- 3 Crevice Tool
- 4 Brush and upholstery tool
- 5 Extension Tube
- 6 Charger
- 7 Dust Pouches
- 8 Accessory Clip



Optional Accessories:

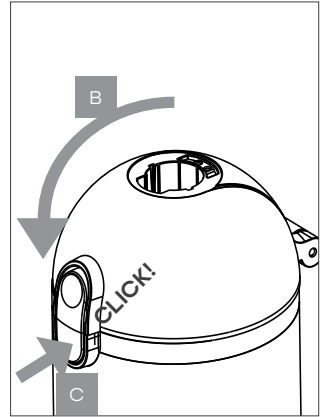
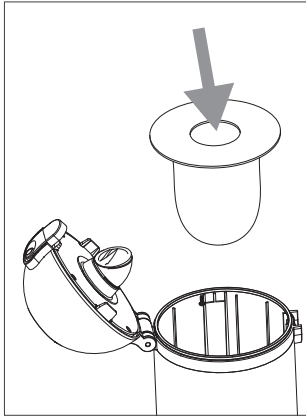
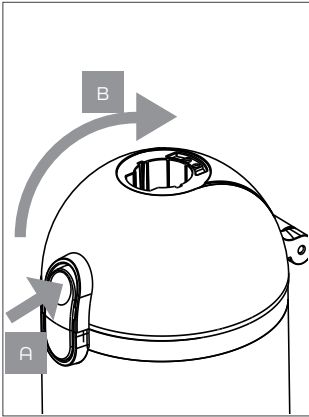
- A Wall Dock
- B Hard Floor Roller
- C Stretch Hose
- D Mini Power Brush



Getting started

Fitting the Dust Pouch

1. Open Capsule by pressing latch A and opening the cover B. Always remove the extension tube and any accessories first.
2. Simply drop the Dust Pouch into the cavity, with the circular card outermost, then reclose.
3. Ensure that pouch is flat before closing.
4. Swing closed the cover B, if necessary pushing the latch at position C until an audible click is heard.
Do not force closed.

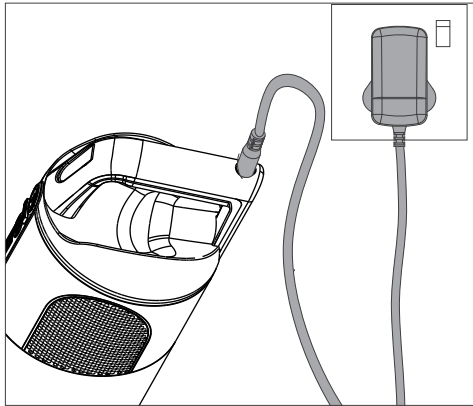


Charging

The charger connects between the Capsule Main Unit and the mains.

The Battery can not be charged when Capsule is in use.

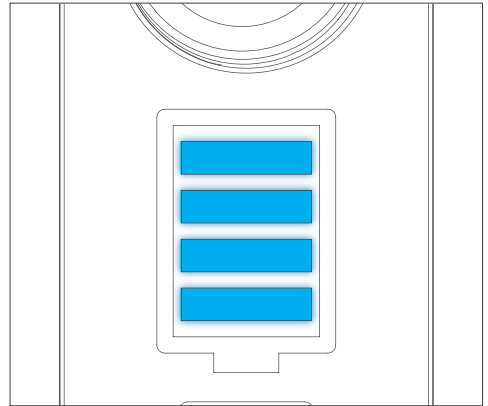
To ensure Full runtime Capsule should be charged for 2-3 hours after each use.



Charging Status

Whilst charging, the battery indicator will show the level of charge from 0-100% in 25% increments.

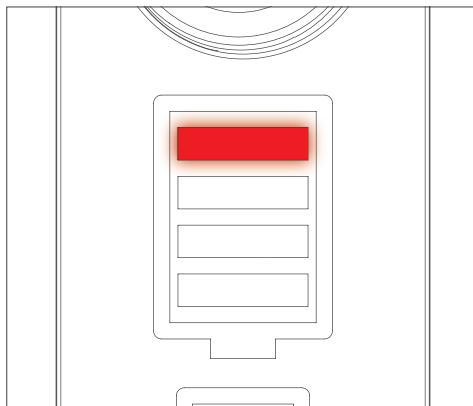
Capsule can be left connected when Fully charged. The charger will enter sleep mode and no electricity will be consumed.



Runtime indicator

The battery indicator will show fewer bars lit as Capsule is used.

The last bar will flash red shortly before the battery is exhausted.



Runtime hints and tips

For full runtime Capsule X should be charged for 2 hours from empty and cool. Allow an extra 30 mins if the battery is very warm.

Capsule's onboard computer estimates charge level and may show Full prior to this time. Charge for the Full 2.5 hours.

Runtime Guide

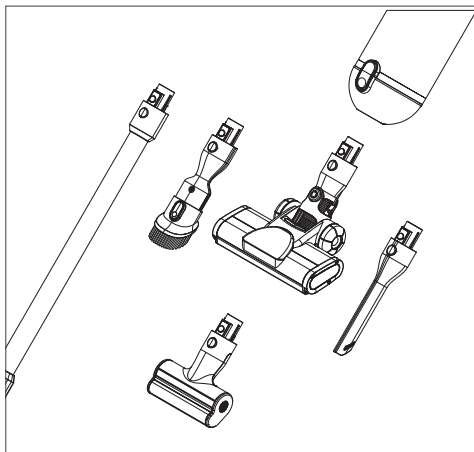
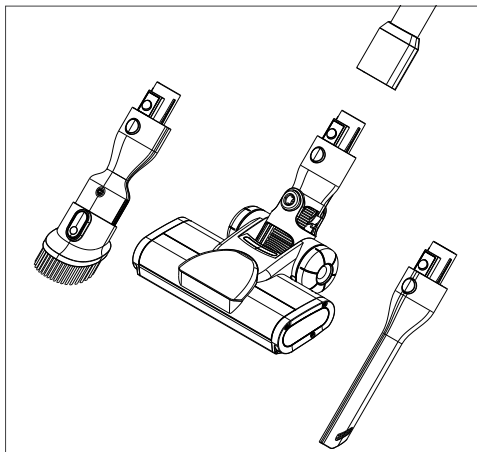
Eco Mode	Over 60 minutes
Performance Mode	Over 25 minutes
Boost	Approx 9 minutes

Figures are estimates based on in home testing. Results in different homes may vary with different ambient temperatures and flooring types.

Attaching the accessories

The accessories can be attached in a variety of ways

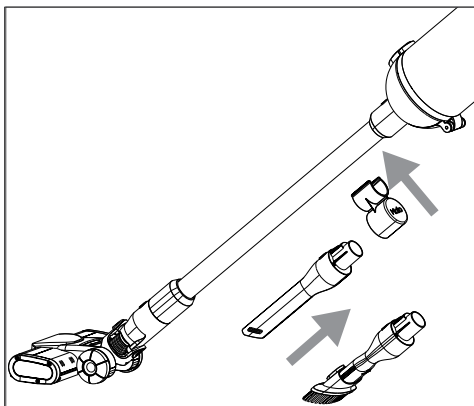
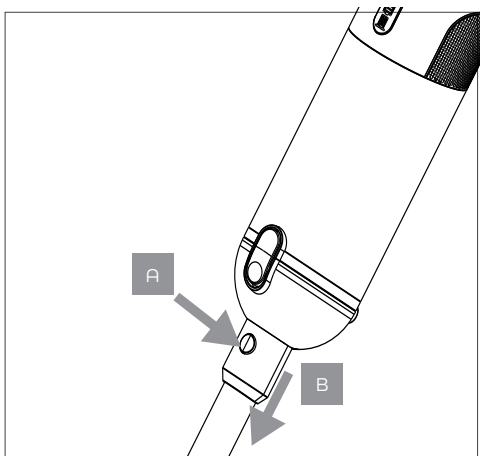
1. The Power Brush Head or any of the accessories can be attached to the end of the Extension Tube.
2. Alternatively any of the accessories can be connected directly into the Capsule Main Unit to allow handheld operation.



3. Release accessories by either pulling them straight out or, where fitted, depress the retention clip first.

Accessory Clip

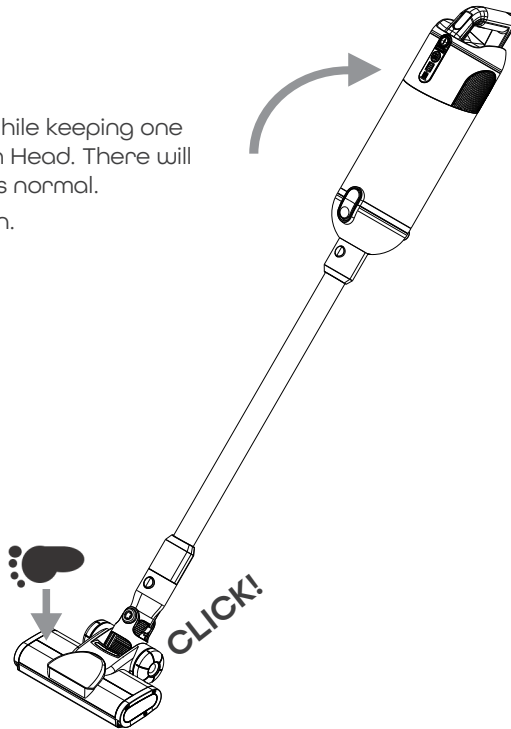
4. The accessory clip can be fitted to the top of the extension tube. Simply push the clip onto the tube then insert the chosen accessory. This can then be carried with your Capsule.



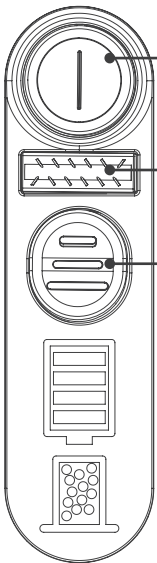
Reclining to Clean

Simply recline Capsule while keeping one foot on the Motor Brush Head. There will be an audible click. This is normal.

Capsule is ready to clean.



Powering up



1 Main on/off

Starts Capsule.

Capsule always starts in Performance mode.

2 Power Brush Head on/off

Starts the Power Brush Head or Hard Floor Roller if fitted.

For best results on carpets and rugs it is recommended to have the brush rotating when cleaning.

3 Power Volume Button

To cycle between Eco, Performance and Boost mode.

≡ Eco

For longest runtime and good cleaning.

≡ Performance

For powerful cleaning on carpet and hardfloor

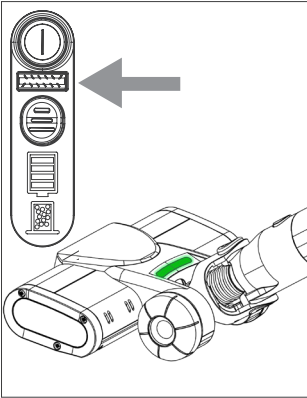
≡ Boost

Available for short periods where maximum performance is required.

Cleaning Tips

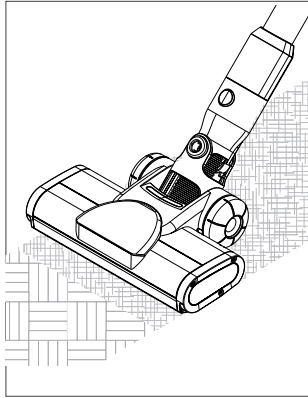
Power Brush Head

After switching on the main unit switch the Power Brush button to start the brushes turning. A green light will appear while in operation.



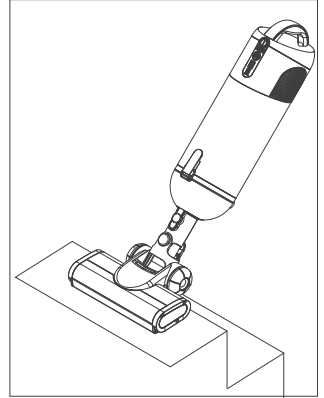
Brush usage

For optimum performance use the Power Brush Head for cleaning carpets and rugs and switch off for hard floor surfaces.



Cleaning Stairs

For stability and convenience the Power Brush Head can be connected directly to the Capsule main unit.



***Note:** For the very best cleaning performance on Hard Floors Halo recommend using the available Hard Floor Roller.

Changing the Dust Pouch

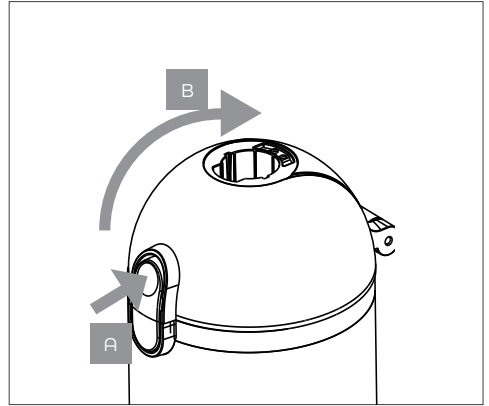
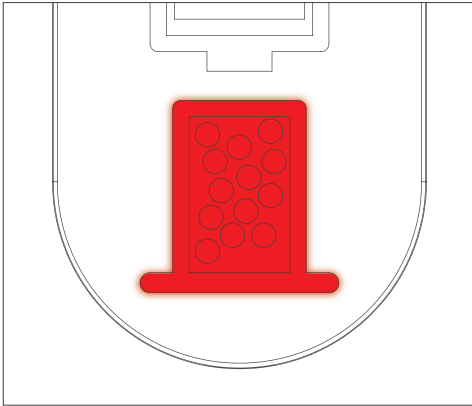
Dust Pouch indicator

When the Dust Pouch is Full and Capsule is running in Boost mode the indicator will constantly light red.

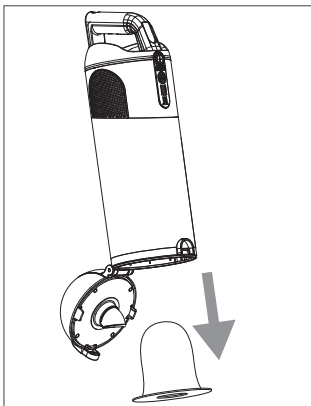
To maximise dirt capacity occasionally gently shake the Capsule Main Unit between uses to evenly distribute the dirt in the dust pouch.

Use the Boost mode periodically to check the indicator. The light is an indicator only and Halo recommend intermittent visual checks inside the dust pouch.

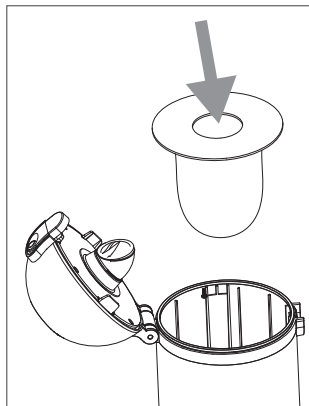
1. Remove the Extension Tube and any accessories then open Capsule by pressing latch A and opening the cover B.



2. Lift the Dust Pouch clear or let it drop under its own weight. Always dispose of Dust Pouches responsibly.

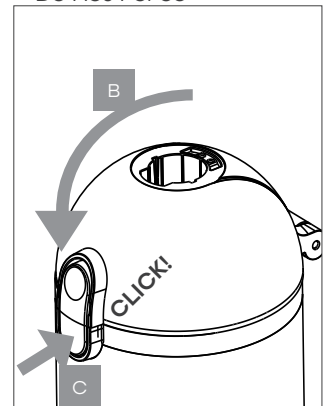


3. Drop a Fresh Dust Pouch into the cavity and reclose. Ensure that pouch is flat before closing. Capsule is ready to clean once more.



4. Swing closed the cover B, if necessary pushing the latch at position C until an audible click is heard.

Do Not Force



Maintenance

Capsule is designed to be as free from maintenance as possible, but the following can help keep your Capsule in top condition.

Blockages

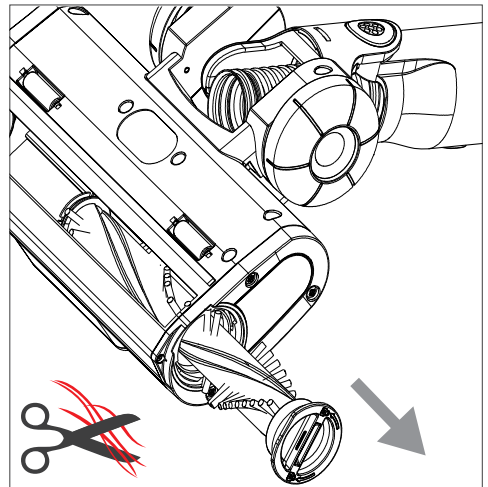
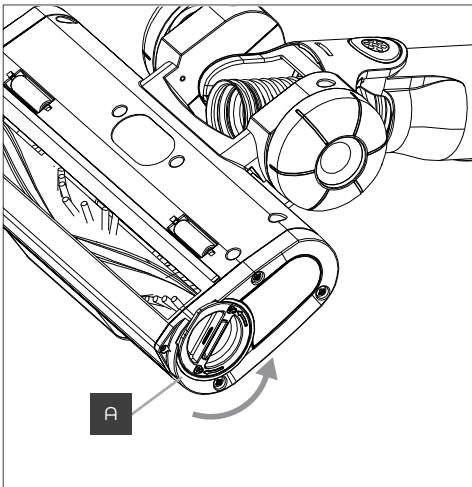
All vacuums block from time to time. With Capsule most blockages can be fixed by simply changing the Dust Pouch and using Boost mode to suck through any blockages.

In the event this is unsuccessful check the Extension Tube and Power Brush Head for remaining blockages and remove these by hand. The use of sharp tools may damage Capsule and invalidate the warranty.

Power Brush Head

Periodically, hair can become wrapped around the brush roll and should be removed to maintain peak performance.

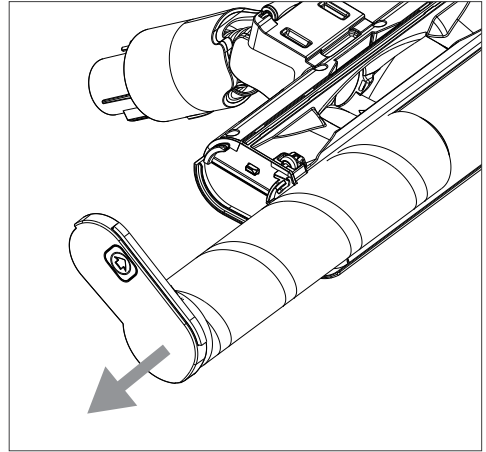
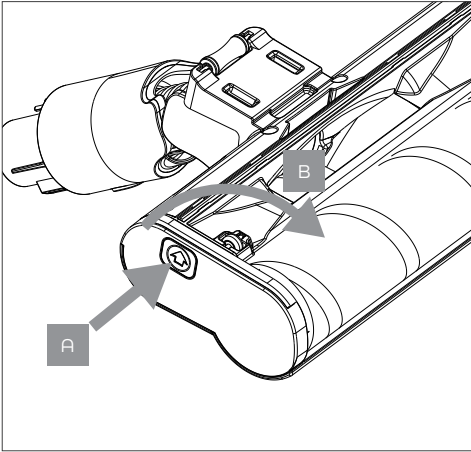
1. Remove the Power Brush Head from both the Capsule unit and the Extension Tube in order to isolate it from any power source.
2. Unlock the endcap (A) by turning it anticlockwise with a large coin or similar.
3. Turn until the end cap pops out.
4. The brush roll can then be completely removed.
5. Hair can be trimmed clear with a pair of scissors.
6. Ensure all parts are clear of hair and obstructions. Parts should reassemble without being forced.
7. Reinsert brush roll and turn endcap clockwise to secure.



Hard Floor Roller

Should items become trapped around the roller the roller can be removed.

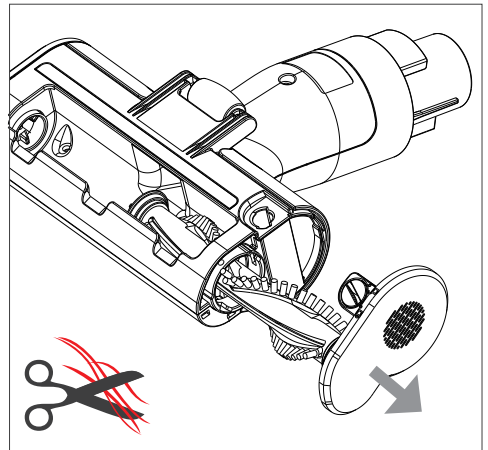
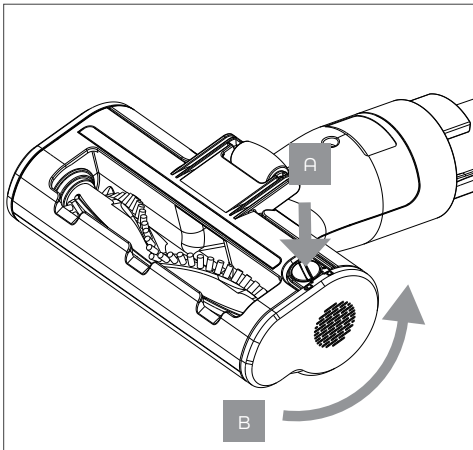
1. Depress the button (A) then rotate the end cap clockwise (B).
2. The roller can then be withdrawn.



Mini Power Brush

To maintain peak performance periodically remove hair from the brush.

1. Use a small coin or screwdriver to unlock the fastener anticlockwise (A) rotate the end cap anticlockwise (B).
2. The mini brush can then be withdrawn. Hair can be trimmed clear with a pair of scissors.



Dust Pouch Filter

After sustained periods of heavy use or if the Dust Pouch has become damaged then the Dust Pouch Filter may need to be cleaned or replaced.

Once the Dust Pouch has been removed the filter can be pulled out of the pouch chamber using the tab shown.

The filter can be rinsed thoroughly under a tap and then dried for 24 hours before being replaced.

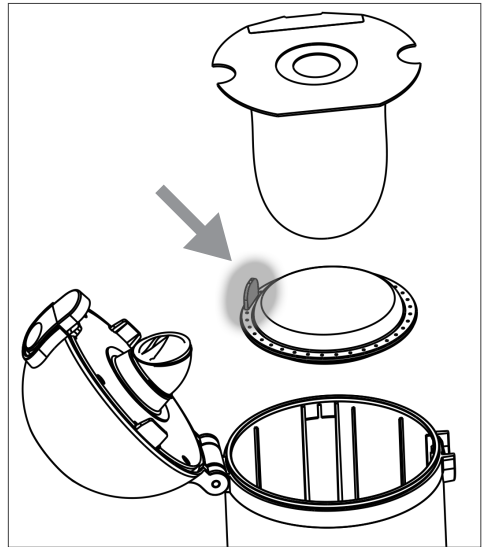
Use of a wet filter will invalidate the warranty. Never use Capsule without the filter fitted.

Always ensure tab is positioned outward when replacing the filter.

Once refitted check the filter is secure, fitted all the way around its diameter and that it does not drop out under its own weight.

Halo recommend cleaning or replacing the Dust Pouch Filter every 6-12 months.

If required replacement filters can be purchased from capsuleclean.com/spares



Troubleshooting

Capsule is not cleaning well	<ol style="list-style-type: none"> 1. Change the Dust Pouch. 2. Check For blockages. 3. Remove hair From the Motor Brush Head.
Capsule won't switch on	<ol style="list-style-type: none"> 1. Charge the Battery for at least 2.5 hours 2. Change the Dust Pouch and check For blockages. 3. Let Capsule cool For 30 minutes and try again.
Dirt is falling back out of the Motor Brush head	<ol style="list-style-type: none"> 1. Change the Dust Pouch 2. Check For blockages
Motor Brush Head light turns red/ orange	<ol style="list-style-type: none"> 1. Remove the brushes. ensure there is nothing tangled around them. 2. Inspect the Motor Brush case and piping For any blockages or damage. 3. Power up the floor tool without the brushes inserted and check For Function. 4. Reinsert the brushes, ensuring they click back in Fully.
Battery not lasting	<ol style="list-style-type: none"> 1. Leave the charger connected for at least 2.5 hours 2. Check the correct Halo charger is being used.

If the above does not work please email our UK based contact centre hello@capsuleclean.co.uk where we will be happy to help.

Capsule technical specification

Voltage	32V
Battery capacity	57.6Wh
Charge time	2 hrs (cool battery) 2.5hrs (hot battery)
Charger	34.2V DC 1A
Weight	2.6Kg

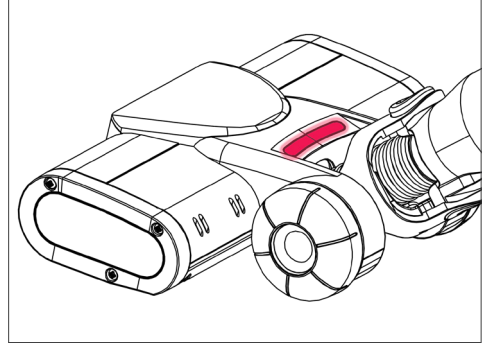
Indicator lights

In the event of a problem Capsule has a handful of helpful feedback lights.

Red light on Power Brush Head

Brush is jammed

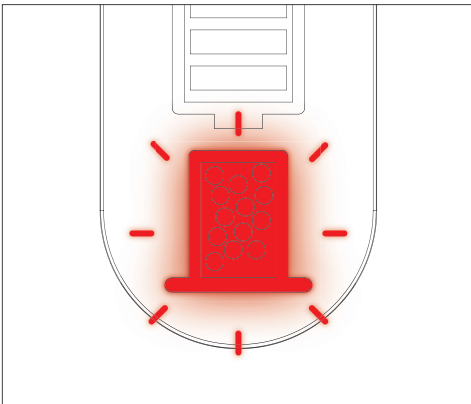
1. Disconnect the Power Brush Head from the Extension Tube and main body to isolate it from power.
2. Check for blockages in the Motor Brush Head and extension tube.



Dust Pouch indicator flashing

Capsule is hot!

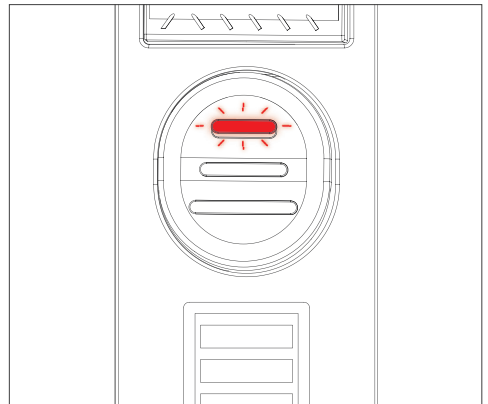
1. Stop using Capsule.
2. Check for blockages.
3. Change the Dust Pouch and charge Capsule.



Power Volume indicator Flashing

Capsule motor is jammed

1. Stop using Capsule.
2. Check filter and Dust Pouch are in place.
3. Fully charge Capsule.
4. If problem persists contact Capsule support hello@capsuleclean.co.uk



Warranty registration

Your new Capsule comes with a complementary 2-year guarantee.

Your proof of purchase acts as your registration document, please have this to hand if you ever need to contact Halo.

What's covered

- If Capsule is used in the way it is intended and breaks down whilst being used for normal domestic cleaning within the guarantee period it's our responsibility to repair or replace it.

What's excluded

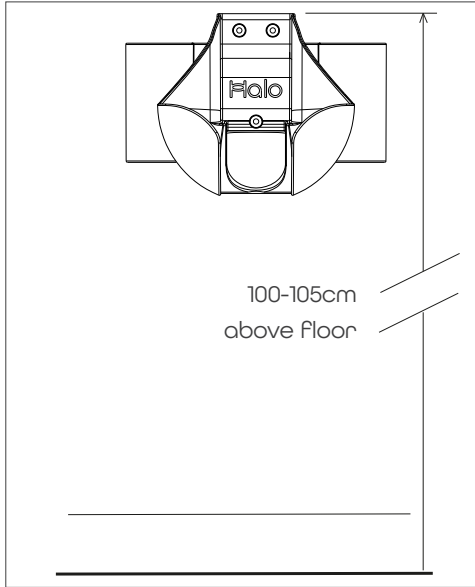
- Normal wear and tear of consumable items, for example belts, filters, Dust Pouches, Power Brush Head etc.
- Batteries or rechargeable batteries which have become faulty or have a reduced life as a result of normal wear or improper handling.
- Accidental damage as a result of:
 - Use not in accordance with the user guide.
 - Not carrying out regular maintenance.
 - Damage to cable.
 - Blockages caused by misuse.
 - Accidental Damage
- Faults caused by:
 - Negligent use, misuse, neglect or careless operation of Capsule not in accordance with the user guide.
 - Use of Capsule for anything other than normal domestic purposes in the country it was purchased.
 - Use of parts, accessories and consumables which are not genuine Halo components.
 - Faulty installation or repairs unless carried out by a qualified electrician or engineer.

For full warranty terms and conditions see capsuleclean.com/warranty

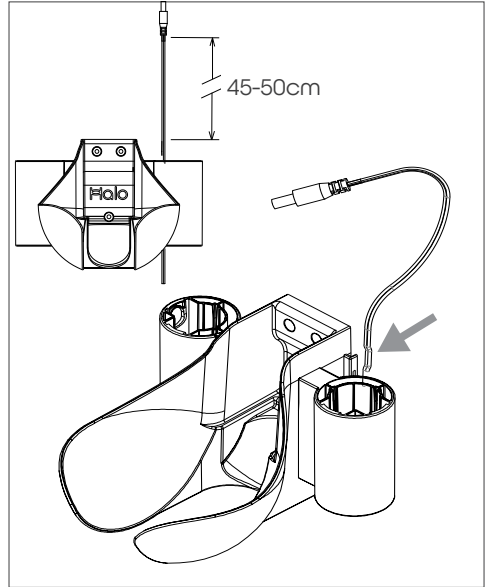
Installing the Wall Dock

1. The Wall Dock should be mounted using the fixings provided.

The Dock should be 100-105cm above the floor.



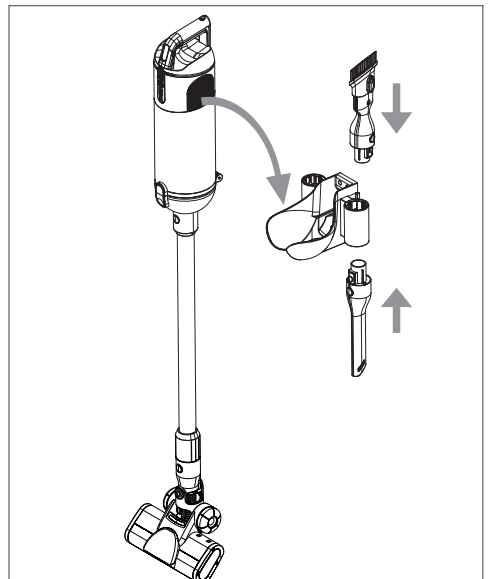
2. For convenience the charging cable can be attached for easy connection. The cable should be pushed into the grip features to secure.



3. The Capsule Vacuum and up to 4 accessories can then be held by the Wall Dock.

Ensure the Wall Dock is secure to the wall before use. Periodically check it has not become loose over time.

Capsule **MUST** have the Extension Tube connected in order to be secure in the Wall Dock.





Halo Appliances Ltd.
Warwickshire, England

capsuleclean.com/contact